

# Adaleigh Wall Sconce

---

LIGHTING

# JOON LOLOI

---

## **⚠ CAUTION**

**BEFORE INSTALLING FIXTURE, MAKE SURE THE POWER TO THE CIRCUIT IS TURNED OFF AT THE MAIN FUSE BOX / CIRCUIT BREAKER UTILITY BOX.**

## **⚠ IMPORTANT SAFETY INSTRUCTIONS**

- These instructions are provided for your safety. It is very important that they are read carefully and completely before beginning the installation of this lighting fixture.
- We strongly recommend that a professional electrician install all direct wire fixtures.
- THIS PRODUCT MUST BE INSTALLED IN ACCORDANCE WITH THE APPLICABLE INSTALLATION CODES BY A PERSON FAMILIAR WITH THE CONSTRUCTION AND OPERATION OF THE PRODUCT AND THE HAZARDS INVOLVED.
- This lamp has been rated for up to two (2) 9-watt maximum type E12 bulb (not included). To avoid the risk of fire, do not exceed the recommended wattage.
- The lighting fixture is meant for indoor use. It must be connected only to 3 wire, single phase electrical supply systems (provided with Ground wire or equivalent protection).
- For your safety, it is strongly recommended that two people install the lighting fixture.
- To avoid the risk of fire, do not exceed the recommended lamp wattage.
- The lighting fixture is meant for indoor use, DRY LOCATIONS ONLY.
- Save these instructions.

## **⚠ WARNING**

- **To reduce the risk of fire, electrical shock or personal injury, always turn off light fixture and allow it to cool prior to replacing light bulb.**
- **Do not touch bulb when fixture is turned on. Do not look directly at lit bulb.**
- **Keep flammable materials away from lit bulb.**
- **This lighting fixture contains lead, a chemical known to the State of California to cause cancer, birth defects and other reproductive harm. Wash hands after installing, handling, cleaning or otherwise touching this light fixture.**

## **PRE-ASSEMBLY INSTRUCTIONS**

Remove all parts and hardware from box along with any plastic protective packaging.

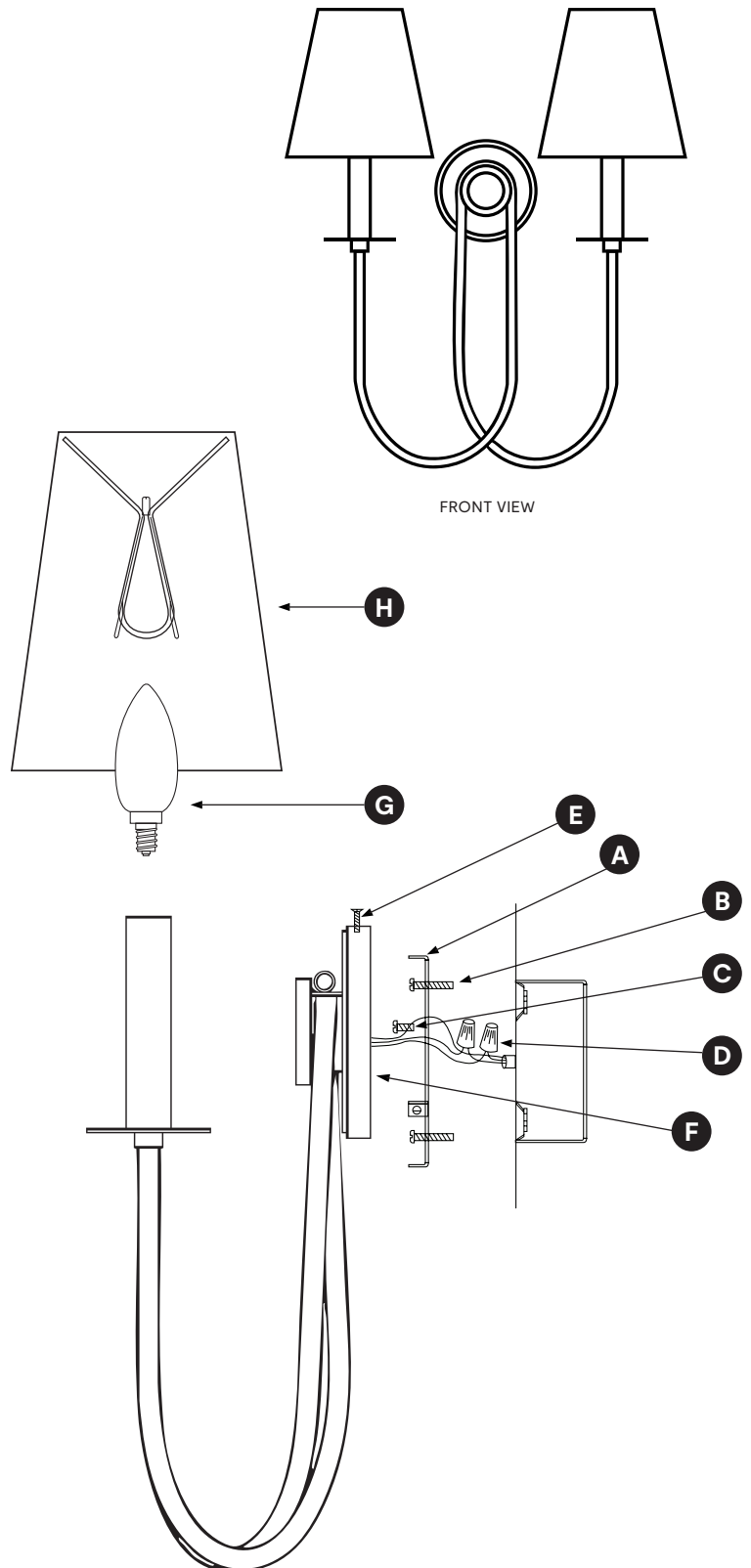
Do not discard any contents until after assembly is complete to avoid accidentally discarding small parts or hardware.

For your safety and convenience, assembly by two people is recommended.

# JOON LOLOI

## PRE-ASSEMBLY INSTRUCTIONS CONTINUED

PARTS INVENTORY		
ID	DESCRIPTION	QTY
<b>A</b>	MOUNTING PLATE	1
<b>B</b>	MOUNTING SCREWS	2
<b>C</b>	GROUND SCREW	1
<b>D</b>	WIRE NUT	2
<b>E</b>	FIXTURE MOUNTING SCREW	1
<b>F</b>	FIXTURE ASSEMBLY	1
<b>G</b>	BULB	2
<b>H</b>	SHADE	2



*\*The drawing shown is for illustration purpose only, and may vary from actual product.*

# JOON LOLOI

---

## ASSEMBLY INSTRUCTIONS

1. Attach the **MOUNTING PLATE (A)** onto the junction box using the **MOUNTING SCREWS (B)**. This fixture is designed to be mounted on standard round or octagon junction box. The junction box must be securely mounted to the structure of the building.
2. Attach the Ground wire (Green) to the ground inside the outlet box (Generally green or bare copper wire) or the **GROUND SCREW (C)** on the **MOUNTING PLATE (A)**. **NEVER CONNECT GROUND WIRE TO "HOT" WIRE! FAILURE TO FOLLOW THIS COULD RESULT IN SERIOUS INJURY OR DEATH!**
3. Connect the white fixture lead to the neutral (Generally white) wire in the outlet box. Fasten the wires together with an approved fastener (**WIRE NUT (D)**). Starting 1" below the fastener, tightly wrap the connection with electrical tape so that the connections seals the end of the fastener. **MAKE SURE THERE ARE NO EXPOSED WIRE OF STRANDS THAT COULD CAUSE A DANGEROUS SHORT CIRCUIT!**
4. Connect the black fixture leads to the hot (Generally black) wire in the junction box. Fasten the joined wires same as previous step. **NEVER REVERSE HOT AND NEUTRAL WIRES. FAILURE TO FOLLOW THIS COULD RESULT IN SERIOUS INJURY OR DEATH!**
5. Attach the **FIXTURE ASSEMBLY (F)** to the **MOUNTING PLATE (A)** and secure with the **FIXTURE MOUNTING SCREWS (E)**.
6. Screw the **BULB (G)** into the socket of the fixture. **THIS FIXTURE IS RATED FOR MAX 9 WATT LED TYPE E12 BULB DO NOT EXCEED THE RECOMMENDED WATTAGE!**
7. Place the **SHADE (H)** over the **BULB (G)** of the fixture.
8. Restore power to the outlet at the breaker or fuse box.

## CARE INSTRUCTIONS

- Wipe clean with a soft, dry cloth or static duster.
- Always avoid the use of harsh chemicals or abrasive cleaners as they may cause damage to the fixture's finish.